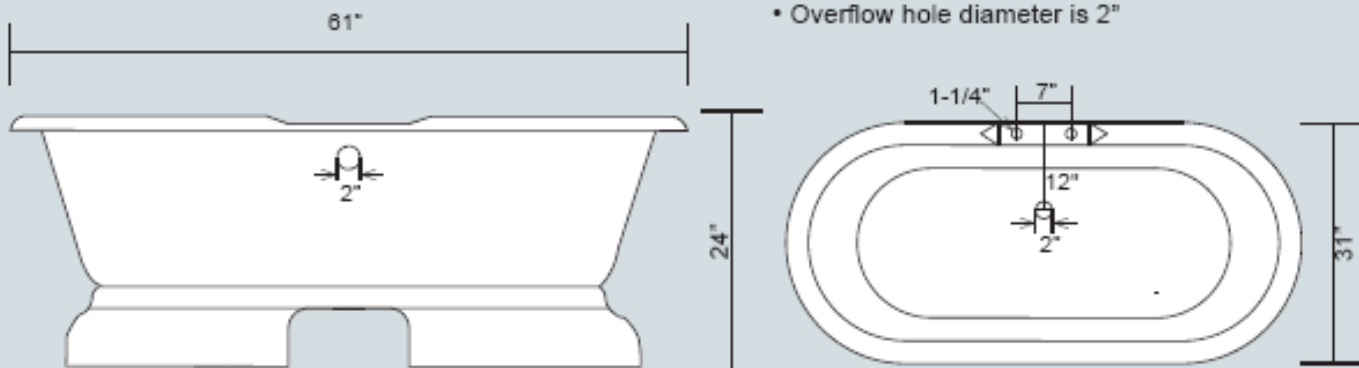


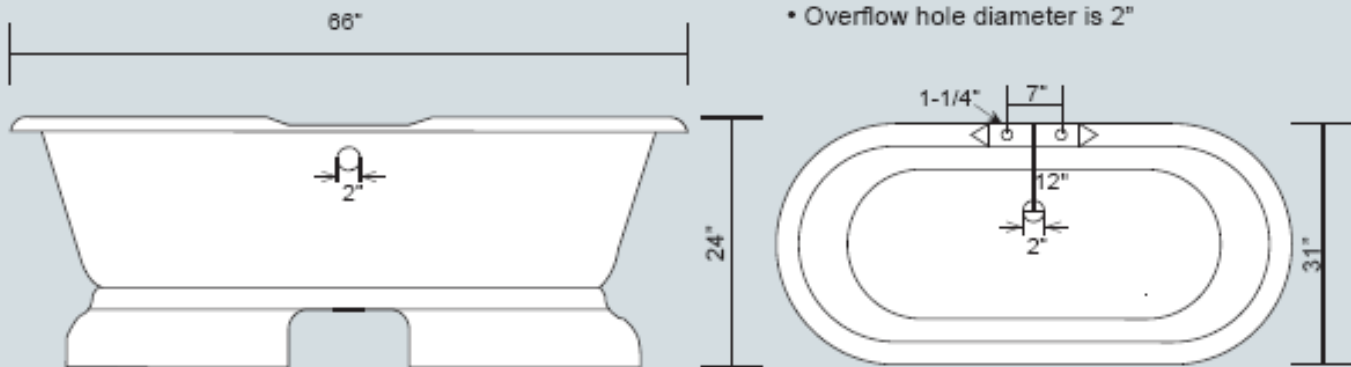
### 61" Dual Tub with Pedestal

- Dimensions: 61" L x 31" W x 24" H
- Water depth is 13-1/2"
- Tub Weight Uncrated: 340 lbs
- Overflow hole diameter is 2"



### 66" Dual Tub with Pedestal

- Dimensions: 66" L x 31" W x 24" H
- Water depth is 13-1/2"
- Tub Weight Uncrated: 370 lbs
- Overflow hole diameter is 2"



\* All measurements are approximate. Measurements may vary +/- 1/2".