

ITD35

Certification



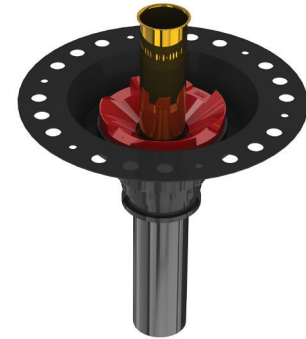
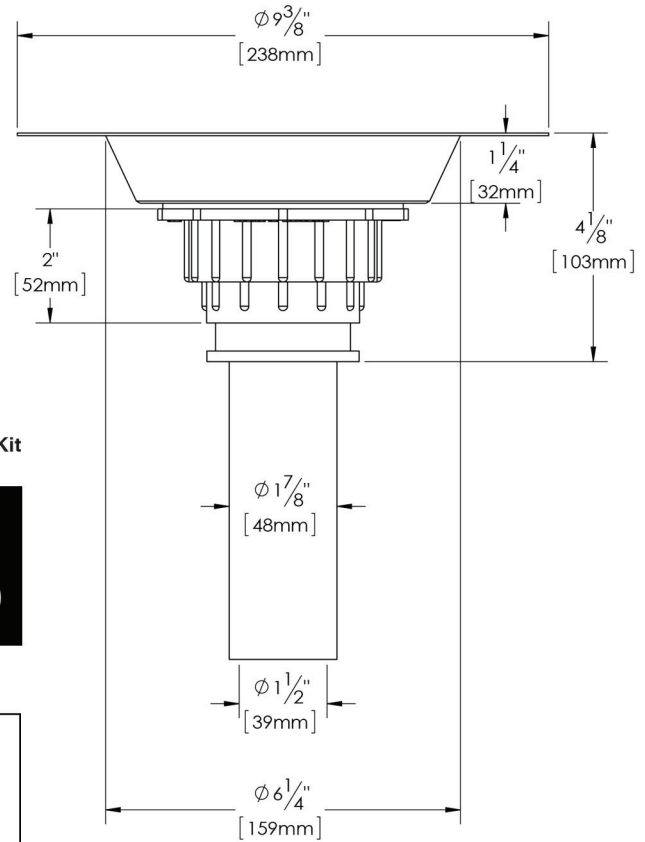
ISLAND TUB DRAIN (ROUGH-IN)

Description:

Island Tub Drain (Rough-in) for Freestanding Tubs

Features:

- 18 Gauge Epoxy coated Metal Deck Drain
- ITD35 is a Freestanding Tub rough-in (install before tile installation)
- Designed to be installed in an 8"/10" joist space with 1-1/2" / 2" P-Trap respectively
- Can be installed with Waterproofing Membrane (bronte™ NobleSeal TS Recommended)
- Supplied with Brass Tailpieces (Threaded and Flanged) and ABS Waste/Overflow Adaptor Kit



Island Tub Drain™ Attaches to Freestanding Bath W/O

Installation:

1

A. Cut 6-1/2" (16.5 cm) hole into wood sub-floor (use supplied Cutout Template).
B. Measure and cut ABS Tailpiece as necessary to ensure a secure connection to P-Trap below.
C. Insert Drain assembly into floor opening and connect to Pipe below.
D. Affix to sub-floor with 6 screws (not supplied)

2

A. Install flooring surface, leaving a 6-1/2" opening to access Drain.
B. Affix the appropriate brass Tailpiece to the Waste & Overflow. **NOTE: DO NOT CUT THE BRASS TAILPIECE AS THIS MAY CAUSE A LEAK.** Ensure the measurement between the base of the Drain and P-Trap will accommodate the Tailpiece. Other lengths available from OS&B.

3

A. Cut out the Installation Label with a utility knife and remove to expose the Drain.
B. Apply lubricant (supplied) to the Tailpiece.
C. Position the Tub and brass Tailpiece in-line with the Drain.
D. Carefully lower the tub with the installed brass Tailpiece into the Red Collar in Drain assembly. Ensure Tailpiece is fully engaged with Seal.

ITD35

Free Standing Tub Drain Rough-in Kit

INSTALLATION VIDEO GUIDE

0:03 / 2:13

Important: Do not remove Installation Label until Step 3. DO NOT CUT THE SUPPLIED BRASS TAILPIECE. Doing so may cause a leak. Disassembling the drain or cutting the Tailpiece will void the warranty.