

# 684D



Before beginning, read the instructions below and follow all local plumbing and building codes.

For this installation of your new freestanding faucet it is presumed that the water supply lines are underneath the floor and are in direct access for faucet installation.

A rounded hole, 1-1/2" in diameter, will provide access to the water supply lines when mounting the faucet. The distance between the mounting location to the water supply lines should be approximately 7".

**SHUT OFF ALL WATER SUPPLY LINES AT THE TUB WHEN INSTALLING NEW FAUCET.**

Unpack and inspect your new faucet for any shipping damages and ensure no pieces are missing.

If any damages are discovered DO NOT INSTALL and contact customer service at 877-795-5684. You may also call our customer service for any other assistance with our products.

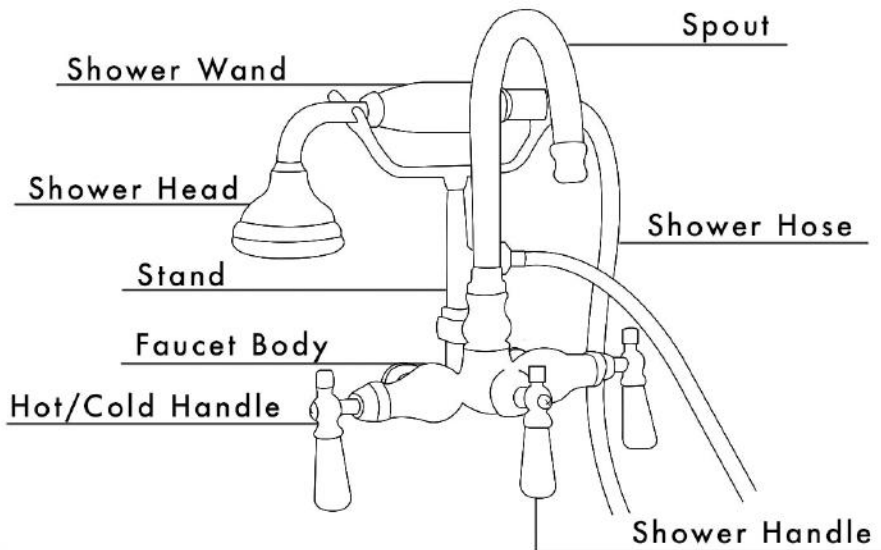
### TOOLS AND MATERIALS NEEDED :

Screwdriver | Plumber's Tape | Adjustable wrench

Plumbers Tape

**Includes Deck Mounting Kit**

Threaded nipple (2) Silver Metal Washer (2) Washer Nut (2)  
Gold Washer (2) Rubber Cone Washer (2) Nut (2)



It is always advised to place plumber's tape on all threaded areas.

1. Assuming your water lines are prepared. Locate a threaded nipple, one silver metal washer, and a washer nut from the deck mounting kit. Slide the metal washer down the nipple and thread the washer nut onto the straight end of the nipple.

2. Place the threaded nipple through the deck holes in the tub and tighten the bolt from the water line onto the straight end of the nipple. Make sure you have a rubber cone washer and gold ring washer in the nut before tightening.

3. With the tapered end of the nipple protruding from the tubs deck mount hole, thread one of the risers onto the nipple as much as possible. Under the risers, tighten the washer nut to secure the water line and riser to the tub.

4. Once the riser is secure, locate a swing arm and attach the threaded inlet to the riser and tighten to secure.

REPEAT STEPS 1 - 4 FOR THE REMAINING RISER & SWING ARM

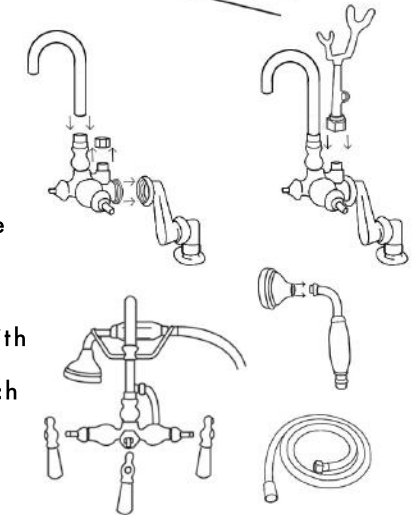
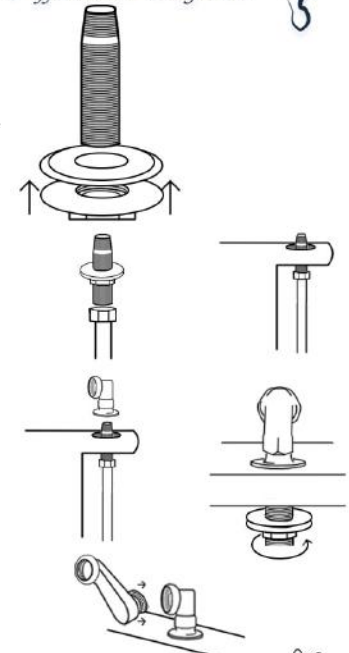
5. Taking only the body of the faucet, attach the body to both swing arms and center the body. Tighten the swing arm and faucet together.

6. Thread the spout onto the top of the faucet body.

7. Remove the nut behind the spout to show a cone rubber washer. Thread the stand onto the faucet body with the rubber cone washer remaining in the faucet.

8. Attach the short end of the hose to the stand with the black washer that is tied to the hose. Now attach the opposite end to the shower wand. Attach the shower head to the wand as well.

9. Take the three handles and locate the shower handle. Place and screw this handle onto the venter of the faucet body. The HOT/COLD handles will go on the ends of the faucet body. HOT on the LEFT and COLD on the RIGHT.



**CONTACT US:**

TheTubConnection.com  
TOLL FREE: 877-795-5684  
Sales@TheTubConnection.com