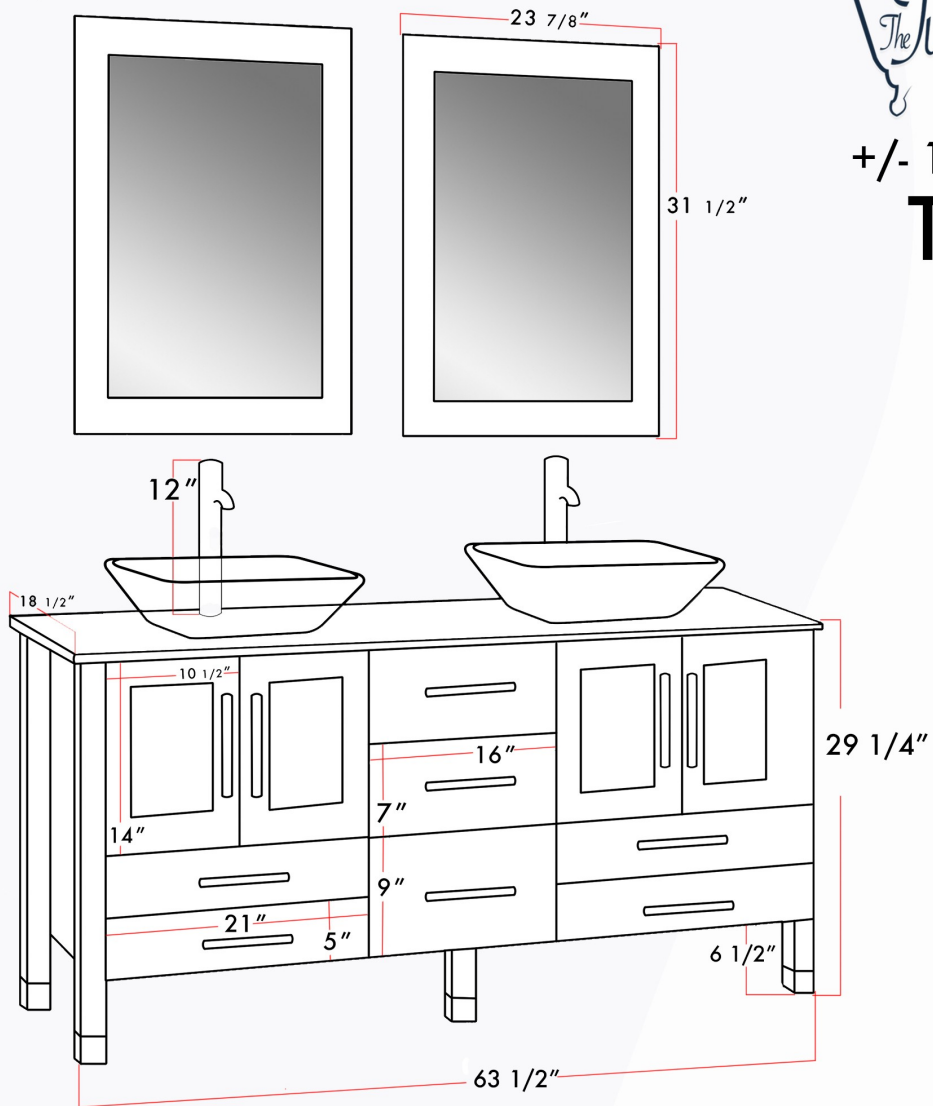




+/- 1/2" Tolerance

TC719



BACK

